

FESTOOL

CDD 9.6

CDD 12



Instruction manual

Page 4 - 8

IMPORTANT: Read and understand all instructions before using.

**Cordless Drill /
Screwdriver**

Guide d'utilisation

Page 9 - 14

IMPORTANT: Lire et comprendre toutes les instructions avant de démarrer les travaux.

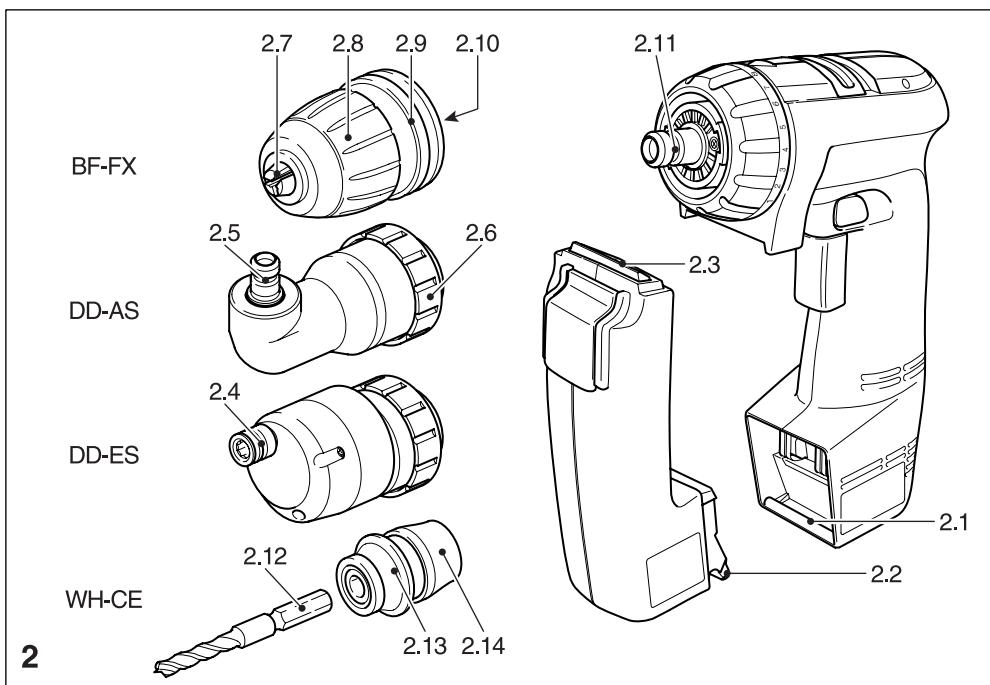
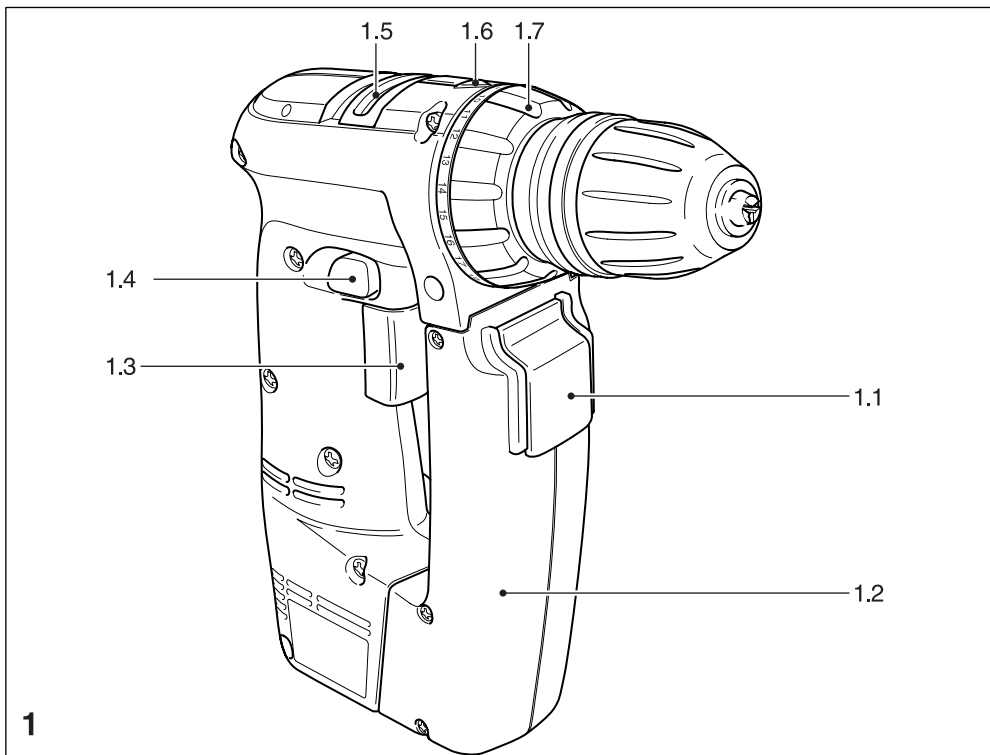
**Perceuse visseuse á
accumulateur**

Manual de instrucciones

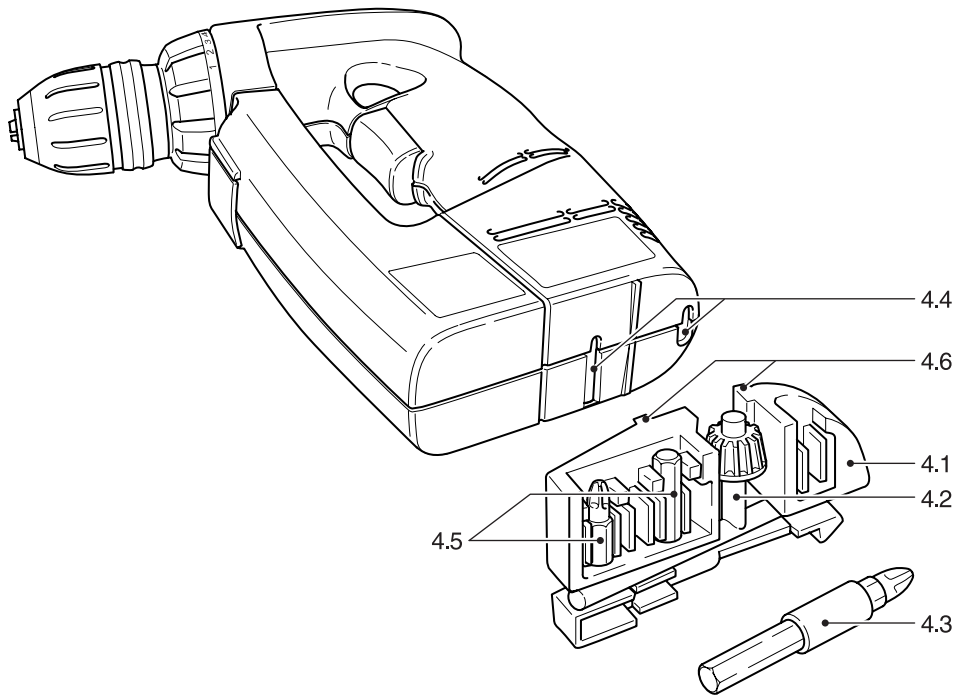
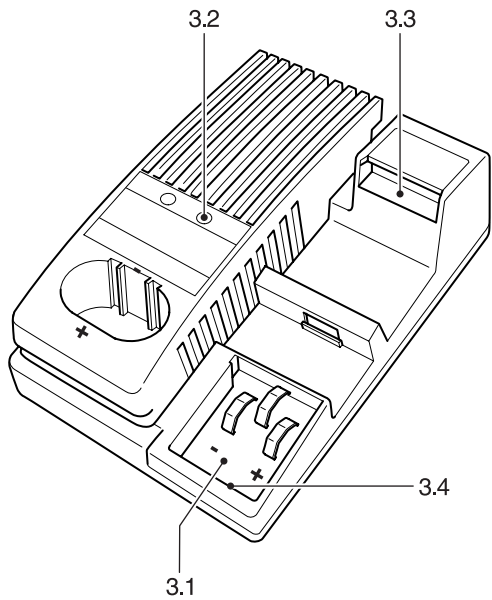
Página 15 - 20

IMPORTANTE: Lea y comprende todas las instrucciones antes de usar.

**Taladradora-atornilladora
con acumuladores**



3



4

GENERAL SAFETY RULES

⚠WARNING Read and understand all instructions. Failure to follow all instructions listed below, may result in electric shock, fire and/or serious personal injury.

SAVE THESE INSTRUCTIONS

Work area

- 1 Keep your work area clean and well lit.** Cluttered benches and dark areas invite accidents.
- 2 Do not operate tools in explosive atmospheres, such as in the presence of flammable liquids, gases, or dust.** Tools create sparks which may ignite the dust or fumes.
- 3 Keep bystanders, children, and visitors away while operating a tool.** Distractions can cause you to lose control.

Electrical safety

- 4 A battery operated tool with integral batteries or a separate battery pack must be recharged only with the specified charger for the battery.** A charger that may be suitable for one type of battery may create a risk of fire or electric shock when used with another battery.
- 5 Use battery operated tool only with specifically designated battery pack.** Use of any other batteries may create a risk of fire.

Personal safety

- 6 Stay alert, watch what you are doing and use common sense when operating a tool. Do not use while tired or under the influence of drugs, alcohol, or medication.** A moment of inattention while operating tools may result in serious personal injury.
- 7 Dress properly. Do not wear loose clothing or jewellery. Contain long hair. Keep your hair, clothing, and gloves away from moving parts.** Loose clothes, jewellery, or long hair can be caught in moving parts.
- 8 Avoid accidental starting. Ensure switch is in the off position before plugging in or inserting battery pack.** Carrying tools with your finger on the switch or energising tools that have the switch on invites accidents.
- 9 Remove adjusting keys or wrenches before turning the tool on.** A wrench or key that is left attached to a rotating part of the tool may result in personal injury.
- 10 Do not overreach. Stand on both feet and keep proper footing and balance at all times.** Proper footing and balance enables better control of the tool in unexpected situations.
- 11 Use safety equipment. Always wear eye protection.** Dust mask, non-skid safety shoes,

hard hat, or hearing protection must be used for appropriate conditions.

12 If devices are provided for the connection of dust extraction and collection facilities ensure these are connected and properly used. Use of these devices can reduce dust related hazards.

Tool use and care

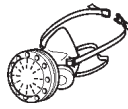
- 13 Use clamps or other practical way to secure and support the workpiece to a stable platform.** Holding the work by hand or against your body is unstable and may lead to loss of control.
 - 14 Do not force tool. Use the correct tool for your application.** The correct tool will do the job better and safer at the rate for which it is designed.
 - 15 Do not use tool if switch does not turn it on or off.** Any tool that cannot be controlled with the switch is dangerous and must be repaired.
 - 16 Disconnect battery pack from tool before making any adjustments, changing accessories, or storing the tool.** Such preventive safety measures reduce the risk of starting the tool accidentally.
 - 17 Store idle tools out of reach of children and other untrained persons.** Tools are dangerous in the hands of untrained users.
 - 18 When battery pack is not in use, keep it away from other metal objects like: paper clips, coins, keys, nails, screws, or other small metal objects that can make a connection from one terminal to another.** Shorting the battery terminals together may cause sparks, burns, or a fire.
 - 19 Maintain tools with care. Keep cutting tools sharp and clean.** Properly maintained tools, with sharp cutting edges are less likely to bind and are easier to control.
 - 20 Check for misalignment or binding of moving parts, breakage of parts, and any other condition that may affect the tools operation. If damaged, have the tool serviced before using.** Many accidents are caused by poorly maintained tools.
 - 21 Use only accessories that are recommended by the manufacturer for your model.** Accessories that may be suitable for one tool, may become hazardous when used on another tool.
- #### Service
- 22 Tool service must be performed only by qualified repair personnel.** Service or maintenance performed by unqualified personnel could result in a risk of injury.

23 When servicing a tool, use only identical replacement parts. Follow instructions in the Maintenance section of this manual. Use of unauthorised parts or failure to follow Maintenance instructions may create a risk of electric shock or injury.

⚠WARNING Various dust created by power sanding, sawing, grinding, drilling and other construction activities contains chemicals known (to the State of California) to cause cancer, birth defects or other reproductive harm. Some examples of these chemicals are:

- lead from lead-based paints,
- crystalline silica from bricks and cement and other masonry products, and
- arsenic and chromium from chemically-treated lumber.

The risk from these exposures varies, depending on how often you do this type of work.



To reduce your exposure to these chemicals: work in a well ventilated area, and work with approved safety equipment, such as dust masks that are specially designed to filter out microscopic particles.

Technical data

Cordless drill/screwdriver

Motor voltage
 Idle-running speed 1. speed
 2. speed
 Max torque Soft boring (wood)
 Hard boring (metal)
 Adjustable torque
 Chuck capacity
 Max. drill diameter for metal / wood
 Tool fitting in chuck
 Weight with battery pack

CDD 9.6

9.6 V
 0 - 380 rpm
 0 - 1100 rpm
 10 Nm
 26 Nm
 0.5 - 5 Nm
 1 - 10 mm
 12 mm / 20 mm
 1/4"
 1.8 kg (4.0 lbs)

CDD 12

12 V
 0 - 380 rpm
 0 - 1100 rpm
 18 Nm
 30 Nm
 1 - 7 Nm
 1.5 - 13 mm
 14 mm / 25 mm
 1/4"
 2.0 kg (4.4 lbs)

Charger

Supply voltage (input)
 Line frequency
 Charging voltage (output)
 Charging current quick charge
 Compensation charge pulsating app.
 Charging time for NiCd 1.4 Ah
 NiCd 1.7 Ah
 NiCd 2.0 Ah

MC 15

120 V ~
 60 Hz
 4.8 - 12 V (DC)
 max. 7.5 A
 0.03 A
 app. 13 min
 app. 15 min
 app. 18 min

Battery pack

Order number
 Voltage
 Cells
 Capacity
 Temp. range for charging
 Monitoring of charge
 Weight

BPH 9.6 C

488 437
 9.6 V
 8 x 1.2 V, NiCd
 2.0 Ah
 5 - 45 °C
 by means of NTC thermistor
 0.5 kg (1.1 lbs)

BPH 12 C

488 438
 12 V
 10 x 1.2 V, NiCd
 2.0 Ah
 5 - 45 °C
 0.6 kg (1.3 lbs)

The illustrations mentioned can be found at the beginning of the operating instructions.

Symbols

V volts
 A amperes
 Hz hertz
 W watt
 ~ alternating current
 n₀ no load speed
 □ Class II Construction
 rpm revolutions per minute

Intended use

The cordless drill/screwdrivers are suitable for drilling metal, wood, plastic and similar materials, as well as for fastening and screwing down of screws with a diameter up to 6 mm. The chargers have been designed to charge the battery packs specified under "Technical data".

⚠WARNING The user will be liable for damage due to improper use.

Preparation for initial operation

Remove battery pack from unit:

The battery pack (1.2) is unlocked and can be removed by pressing the switch (1.1) downwards.

Fitting the battery pack in the tool:

- Place the charged battery pack with its fin (2.2) in the groove (2.1).
- Push the battery pack towards the tool until its lock (2.3) catches in place.

The cordless drill/screwdriver is now ready for operation.

Note: The cordless drill/screwdriver can be operated with a battery pack whose voltage is lower than the motor voltage of the cordless drill/screwdriver, though not vice versa!

Initial operation

Turn on by pressing button (1.3). Depending on the pressure exerted on the button, the adjustment of running speed can be varied infinitely.

Turn off by releasing the button. After releasing the button, the chuck is stopped and therefore, after-running of the equipment is prevented.

To change the direction of rotation

The selector button (1.4) determines the direction of rotation.

- Turn button from right to left = clockwise rotation.
- Turn button from left to right = anticlockwise rotation.
- Selector button in central position = circuit interlock.

Shifting speeds

CAUTION Change only when completely stopped! Using the shift lever (1.5), the speed can be changed. If the shift lever cannot be switched completely, slightly turn the chuck.

- 1. Speed: lever forward - Figure 1 is visible.
- 2. Speed: lever backwards - Figure 2 is visible.

Torque adjustment

By turning the adjustment ring (1.7), so that the corresponding symbol aligns with the arrow (1.6) the required torque can be adjusted.

a) Drilling:

Drilling symbol on adjustment ring aligns with the arrow = maximum torque.

b) Screws:

Torque corresponding to setting:

- Position 1 = low torque
- Position 18 = high torque

Tool holding fixture, attachments

WARNING Make sure that the machine is switched off and the battery block has been removed before changing the tool holding fixture, attachments and tools.

Chuck BF-FX

The chuck is used to clamp drills and bits.

Fitting:

- Place the chuck on the drill spindle (2.11) and twist until the hexagon key (2.10) of the chuck latches into the hexagon socket of the drill spindle.
- Pull the unlocking ring (2.9) forwards, press the chuck onto the drill spindle up to the stop and release the unlocking ring.

Removal:

- Pull the unlocking ring forwards and remove the chuck.

Changing tools

- Turn the clamping sleeve (2.8) anti-clockwise to open the clamping jaws (2.7) (Note: the spindle is automatically locked when the machine is switched off).
- Insert the tool into the chuck.
- Clamp the tool by turning the clamping sleeve clockwise. Always make sure that the tool is clamped centrally in the chuck.

Angle attachment DD-AS

The angle attachment permits work (drilling, screwing) vertical to the machine's longitudinal axis.

Fitting:

- place the angle attachment on the drill spindle and turn until it catches in the desired position (Note: The angle attachment can be fitted in 16 different angle settings).
- Lock the angle attachment by turning the fastening ring (2.6) tightly clockwise.

Removal:

- Turn the fastening ring anti-clockwise up to the stop and remove the angle attachment.

Fitting / removal of chuck on angle attachment

The chuck is fitted on the shaft (2.5) of the angle attachment in the same way as on the drill spindle of the machine.

Eccentric attachment DD-ES

The eccentric attachment is used to hold bits. It allows screwing close to edges.

Fitting / removing the eccentric attachment

The eccentric attachment is fitted / removed in the same way as the angle attachment DD-AS.

Changing tools

- Pull the unlocking ring (2.4) back and remove the tool and/or insert the new tool.

Toolholder CENTROTEC WH-CE

The CENTROTEC toolholder enables rapid changes of tools with CENTROTEC shafts.

⚠CAUTION Do not fit CENTROTEC tools at the round shaft section in a conventional chuck to prevent damage to the shaft.

⚠WARNING **Danger of injury!** When changing tools, handle the tool and its sharp cutters with special care and wear protective gloves, if necessary.

Fitting

- Pull the unlocking ring (2.14) forwards, press the chuck onto the drill spindle up to the stop and release the unlocking ring.

Removal

- Pull the release ring forwards and take off the toolholder.

Changing tools

- To insert or remove a tool with CENTROTEC shaft, pull the green release ring (2.13) back. On inserting the tool, turn it until its hex shank arbour (2.12) locks in place in the hexagonal shank of the drill spindle, and push the tool into the toolholder as far as it will go.

Tool holding fixture in the drill spindle

Bits can be fitted directly in the hexagon socket holder of the drill spindle (2.11) to make the machine lighter and shorter.

Charge battery pack

MC 15

The charger MC 15 can be used to charge all NiCd-Festool battery packs between 4.8 V and 12 V in the battery chamber (3.1).

The charge process is controlled by a micro-processor. The optimum charging current is always used depending on the temperature, voltage and internal resistance.

The LED (3.2) indicates the respective charging operation of the charger.

LED yellow - steady =

Charger is ready for use.

LED green - flashing =

Battery pack being charged.

LED green - fast flashing =

Battery pack being charged at max. charging current.

LED green - steady =

Battery pack fully charged, conservation charge on.

LED red - flashing =

General malfunction, e. g. incorrect polarity of battery pack, full contact not being made, short-circuit, battery pack faulty.

LED red - steady =

Temperature of battery pack is outside permissible limit.

If the battery pack is removed from the charging chamber during charging, charging can only be continued after 1-2 seconds when the LED shows a steady yellow.

Charging with the MC 15

- Connect charger to mains. **⚠WARNING**

The line voltage and frequency must correspond with the data on the ratings plate!

- Insert battery pack with the fin (2.2) in the lower groove (3.4) of the charging chamber.
- Push battery pack into charging chamber until it catches with the lock (2.3) in the groove (3.3).

The battery pack is now charged.

Press the button (1.1) to unlock it and remove it from the charger.

Accessories, tools

The accessory and tool order number can be found in the Festool catalogue or on the Internet under "www.festool-usa.com".

Bit depot

Attachments which are used on a regular basis, as for example the chuck key (4.2), bit extender (4.3) or different bits (4.5), can be clipped onto the bit depot (4.1).

The bit depot can be snapped into the bottom of the drill/screwdriver with its mounting lugs (4.6). When the mounting lugs are inserted into the corresponding holes (4.4) and the magazine is slid sideways the contour of the case aligns with the contour of the magazine.

The spring loaded catch of the bit magazine can loosen on impact of drill/screwdriver.

Instructions on application - maintenance - care

⚠CAUTION Please pay attention to the following instructions. Otherwise there is a risk of damage to the tool, charger or battery pack.

- Keep the air vents of the electronic equipment and the charger clean to guarantee the air circulation for cooling.
- Keep the connection contacts of electronic equipment, charger and battery pack clean.
- Festool chargers and Festool battery packs are designed for each other. Therefore, only use Festool chargers to charge Festool battery packs.
- By keeping the battery pack in a ready for use charger, the battery pack will be kept in

a state of readiness by float charging conservation.

- Do not keep discharged battery pack (maximum one month) attached to charger whenever charger is detached from the power supply (danger of deep discharging).
- A new battery pack or a battery pack not used for a longer period of time reaches its full capacity after about 5 charging and discharging cycles.
- Battery packs should, before charging, be fully discharged if possible. Continuous starting of the charging process shortens the lifespan of the batteries.
- A considerably reduced time of operation per charging shows that the battery pack is used up and should be replaced by a new one.
- Store battery packs at ambient temperatures between 0°C and 35°C.
- All maintenance and repair work, requiring dismantling of equipment, may only be performed by an authorised after-sales service workshop.

Recycling battery packs

Never throw spent battery packs into domestic waste containers! Return spent or defective battery packs to dealers, the Festool after-sales service department or approved waste disposal facilities. This ensures that they are correctly recycled.

Warranty

Conditions of 1+2 Warranty

You are entitled to a free extended warranty (1 year + 2 years = 3 years) for your Festool power tool. Festool shall be responsible for all shipping costs during the first year of the warranty. During the second and third year of the warranty the customer is responsible for shipping the tool to Festool. Festool will pay for return shipping to the customer using UPS Ground Service. All warranty service is valid 3 years from the date of purchase on your receipt or invoice.

Festool Limited Warranty

This warranty is valid on the pre-condition that the tool is used and operated in compliance with the Festool operating instructions. Festool warrants, only to the original consumer purchaser, that the specified tool will be free

from defects in materials and workmanship for a term of one year from the date of procurement. Festool makes no other warranty, express or implied, for Festool portable power tools. No agent, representative, distributor, dealer or employee of Festool has the authority to increase or otherwise change the obligations or limitations of this warranty. The obligations of Festool in its sole discretion under this warranty shall be limited to the repair or replacement of any Festool portable power tool that is found to be defective as packaged with the User Manual.

Excluded from coverage under this warranty are: normal wear and tear; damages caused by misuse, abuse or neglect; damage caused by anything other than defects in material and workmanship. This warranty does not apply to accessory items such as circular saw blades, drill bits, router bits, jigsaw blades, sanding belts, and grinding wheels. Also excluded are "wearing parts", such as carbon brushes, lamellas of air tools, rubber collars and seals, sanding discs and pads, and batteries.

Festool portable power tools requiring replacement or repair are to be returned with the receipt of purchase to Festool (call 800-554-8741 for address details).

IN NO EVENT SHALL FESTOOL BE LIABLE FOR ANY CONSEQUENTIAL OR INCIDENTAL DAMAGES FOR BREACH OF THIS OR ANY OTHER WARRANTY, EXPRESSED OR IMPLIED WHATSOEVER. ALL WARRANTIES IMPLIED BY STATE LAW, INCLUDING THE IMPLIED WARRANTIES OF MERCHANTABILITY AND FITNESS FOR A PARTICULAR PURPOSE, ARE HEREBY LIMITED TO THE DURATION OF THREE YEARS.

Some states in the U.S. and some Canadian provinces do not allow the limitations on how long an implied warranty lasts, so the above limitation may not apply to you. With the exception of any warranties implied by state or province law as hereby limited, the foregoing express limited warranty is exclusive and in lieu of all other warranties, guarantees, agreements and similar obligations of Festool.

This warranty gives you specific legal rights and you may also have other rights which vary from state to state in the U.S. and province to province in Canada.

RÈGLES DE SÉCURITÉ GÉNÉRALES

AVERTISSEMENT Vous devez lire et comprendre toutes les instructions. Le non-respect, même partiel, des instructions ci-après entraîne un risque de choc électrique, d'incendie et/ou de blessures graves.

CONSERVEZ CES INSTRUCTIONS

Aire de travail

1 Veillez à ce que l'aire de travail soit propre et bien éclairée. Le désordre et le manque de lumière favorisent les accidents.

2 N'utilisez pas d'outils électriques dans une atmosphère explosive, par exemple en présence de liquides, de gaz ou de poussières inflammables. Les outils électriques créent des étincelles qui pourraient enflammer les poussières ou les vapeurs.

3 Tenez à distance les curieux, les enfants et les visiteurs pendant que vous travaillez avec un outil électrique. Ils pourraient vous distraire et vous faire une fausse manœuvre.

Sécurité électrique

4 Un outil à bloc-batterie amovible ou a batterie intégrée ne doit être recharge qu'avec le chargeur prévu pour la batterie. Un chargeur qui convient à tel type de batterie peut présenter un risque d'incendie avec tel autre de batterie.

5 N'utilisez un outil qu'avec un bloc-batterie conçu spécifiquement pour lui. L'emploi d'un autre bloc-batterie peut créer un risque d'incendie.

Sécurité des personnes

6 Restez alerte, concentrez-vous sur votre travail et faites preuve de jugement. N'utilisez pas un outil électrique si vous êtes fatigué ou sous l'influence de drogues, d'alcool ou de médicaments. Un instant d'inattention suffit pour entraîner des blessures graves.

7 Habitez-vous convenablement. Ne portez ni vêtements flottants ni bijoux. Confinez les cheveux longs. N'approchez jamais les cheveux, les vêtements ou les gants des pièces en mouvement. Des vêtements flottants, des bijoux ou des cheveux longs risquent d'être happés par des pièces en mouvement.

8 Méfiez-vous d'un démarrage accidentel. Avant de brancher l'outil, assurez-vous que son interrupteur est sur ARRÊT. Le fait de transporter un outil avec le doigt sur la détente ou de brancher un outil dont l'interrupteur est en position MARCHE peut mener tout droit à un accident.

9 Enlevez les clés de réglage ou de serrage avant de démarrer l'outil. Une clé laissée dans une pièce tournante de l'outil peut provoquer des blessures.

10 Ne vous penchez pas trop en avant. Maintenez un bon appui et restez en équilibre en tout temps. Une bonne stabilité vous permet de mieux réagir à une situation inattendue.

11 Utilisez des accessoires de sécurité. Portez toujours des lunettes ou une visière. Selon les conditions, portez aussi un masque antipoussière, des bottes de sécurité antidérapantes, un casque protecteur et/ou un appareil antibruit.

12 Assurez-vous que les dispositifs existants sont bien raccordés à l'aspiration et au captage des poussières, et qu'ils sont correctement utilisés. L'utilisation de ces dispositifs permet de réduire les dangers provenant des poussières.

Utilisation et entretien des outils

13 Immobilisez le matériau sur une surface stable au moyen de brides ou de toute autre façon adéquate. Le fait de tenir la pièce avec la main ou contre votre corps offre une stabilité insuffisante et peut amener un dérapage de l'outil.

14 Ne forcez pas l'outil. Utilisez l'outil approprié à la tâche. L'outil correct fonctionne mieux et de façon plus sécuritaire. Respectez aussi la vitesse de travail qui lui est propre.

15 N'utilisez pas un outil si son interrupteur est bloqué. Un outil que vous ne pouvez pas commander par son interrupteur est dangereux et doit être réparé.

16 Retirez le bloc-batterie avant d'effectuer un réglage, de changer d'accessoire ou de ranger l'outil. De telles mesures pré-ventives de sécurité réduisent le risque de démarrage accidentel de l'outil.

17 Rangez les outils hors de la portée des enfants et d'autres personnes inexpérimentées. Les outils sont dangereux dans les mains d'utilisateurs novices.

18 Lorsque le bloc-batterie n'est pas en service, tenez-le à l'écart d'autres objets métalliques /trombones, pièces de monnaie, clés, clous, vis, etc.) susceptibles d'établir un contact électrique entre les deux bornes. La mise en court-circuit des bornes de la batterie peut produire des étincelles et constitue un risque de brûlures ou d'incendie.

19 Prenez soin de bien entretenir les outils. Les outils de coupe doivent être toujours bien affûtés et propres. Des outils bien entretenus, dont les arêtes sont bien tranchantes, sont moins susceptibles de coincer et plus faciles à diriger.

20 Soyez attentif à tout désalignement ou coincement des pièces en mouvement, à tout bris ou à toute autre condition

préjudiciable au bon fonctionnement de l'outil. Si vous constatez qu'un outil est endommagé, faites-le réparer avant de vous en servir. De nombreux accidents sont causés par des outils en mauvais état.

21 N'utilisez que des accessoires que le fabricant recommande pour votre modèle d'outil. Certains accessoires peuvent convenir à un outil, mais être dangereux avec un autre.

Réparation

22 La réparation des outils électriques doit être confiée à un réparateur qualifié. L'entretien ou la réparation d'un outil électrique par un amateur peut avoir des conséquences graves.

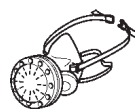
23 Pour la réparation d'un outil, n'employez que des pièces de rechange d'origine. Suivez les directives données à la section "Réparation" de ce manuel. L'emploi de pièces non autorisées ou le non-respect des instructions d'entretien peut créer un risque de choc électrique ou de blessures.

AVERTISSEMENT Certaines poussières créées par le ponçage mécanique, le sciage, le meulage, le perçage et autres activités reliées à

la construction contiennent des substances chimiques connues (dans l'État de la Californie) comme pouvant causer le cancer, des anomalies congénitales ou représenter d'autres dangers pour la reproduction. Voici quelques exemples de telles substances:

- Plomb provenant de peintures à base de plomb,
- Silice cristallisée utilisée dans les briques, le ciment et autres matériaux de maçonnerie, et
- Arsenic et chrome du bois d'œuvre traité avec un produit chimique.

Le risque d'exposition à de tels produits varie selon la fréquence à laquelle vous faites ce genre de travail.



Pour réduire les risques d'exposition à ces substances chimiques : travaillez dans un endroit adéquatement ventilé et utilisez un équipement de sécurité approuvé, tel que masques antipoussières spécialement conçus pour filtrer les particules microscopiques.

Caractéristiques techniques

Perceuse-visseuse

Tension du moteur

Vitesse à vide 1ère vitesse

2ème vitesse

Couple de rotation max.

cas de vissage dans un matériau tendre (bois)

cas de vissage dans un matériau dur (métal)

Réglage de couple

Capacité mandrin

Maxi capacité de perçage dans du métal / du bois

Raccordement d'outil dans la broche de perçag

Poids avec accumulateur

CDD 9.6

9.6 V

0-380 tr/min

0-1100 tr/min

10 Nm

26 Nm

0.5 - 5 Nm

1 - 10 mm

12 mm / 20 mm

¼ "

1.8 kg (4.0 lbs)

CDD 12

12 V

0-380 tr/min

0-1100 tr/min

18 Nm

30 Nm

1 - 7 Nm

1.5 - 13 mm

14 mm / 25 mm

¼ "

2.0 kg (4.4 lbs)

Chargeur

Tension secteur (entrée)

Fréquence secteur

Tension de charge (sortie)

Courant de charge, charge rapide

Charge de maintien à impulsions, environ

Durée de charge pour NiCd 1.4 Ah

NiCd 1.7 Ah

NiCd 2.0 Ah

MC 15

120 V ~

60 Hz

4.8 - 12 V (DC)

7.5 A max.

0.03 A

13 mn. env.

15 mn. env.

18 mn. env.

Accumulateur

Référence

Tension

Piles

Capacité

Plage de température de charge

Contrôle d'état de charge

Poids

BPH 9.6 C

488 437

9.6 V

8 x 1.2 V, NiCd

2.0 Ah

5 - 45°C

0.5 kg (1.1 lbs)

BPH 12 C

488 438

12 V

10 x 1.2 V, NiCd

2.0 Ah


5 - 45°C

0.6 kg (1.3 lbs)

via résistance NTC

Les représentations indiquées figurent au début du mode d'emploi.

Symbole

V	Volt
A	Ampère
Hz	Hertz
W	Watt
~	Tension alternative
n_0	Vitesse de rotation à vide
	Classe II conception
tr/min	tours par minute

Utilisation conforme aux prescriptions

Les perceuses-visseuses à accumulateur se prêtent à percer le métal, le bois, les matières plastiques et des matériaux semblables ainsi qu'à visser à fond et introduire des vis jusqu'à 6 mm de diamètre.

Les chargeurs sont destinés à charger les accumulateurs rechargeables indiqués au "Caractéristiques techniques".

AVERTISSEMENT Seul l'utilisateur est tenu responsable des dommages qui résulteraient d'une utilisation non conforme aux prescriptions.

Préparatifs de mise en service

Enlever l'accumulateur de l'appareil:

En appuyant sur la touche (1.1), l'accumulateur (1.2) se trouve déverrouillé et peut alors être enlevé.

Mise en place de l'accumulateur dans l'appareil:

- Suspendre l'accumulateur chargé avec la nervure (2.2) dans l'évidement (2.1).
- Pousser l'accumulateur en direction de la machine jusqu'à ce qu'il s'enclenche avec le verrouillage (2.3) dans l'appareil.

Dès à présent, la perceuse-visseuse à accumulateur est prête à fonctionner.

Remarque: Il est possible d'exploiter la perceuse-visseuse avec un accumulateur qui présente une tension moins importante que son moteur, ce qui n'est cependant pas possible si la tension de l'accumulateur surpasse la tension du moteur.

Mise en service

Mise en marche en appuyant sur la touche de commutation (1.3). La vitesse de rotation peut être progressivement réglée, en fonction du mode de pression sur la touche de commutation.

Mise à l'arrêt en relâchant la touche de commutation. Une fois que la touche de commutation est relâchée, la broche de travail (mandrin) est freinée, ce qui empêche ainsi une poursuite de rotation par inertie de l'outil.

Commutation du sens de rotation

Le bouton de commutation (1.4) sert à déterminer le sens de rotation.

- Bouton poussé de droite vers la gauche = marche à droite.
- Bouton poussé de gauche vers la droite = marche à gauche.
- Bouton en position centrale = verrouillage de mise en marche.

Commutation de l'engrenage

AVERTISSEMENT Procéder à la commutation uniquement à l'arrêt ou en fin de roulement.

Le curseur de commutation (1.5) permet de commuter l'engrenage. Si le curseur de commutation ne peut pas être déplacé jusqu'à la butée, il convient dans ce cas de tourner un peu la broche de perçage.

- 1ère vitesse: curseur de commutation vers l'avant - le chiffre 1 est visible.
- 2ème vitesse: curseur de commutation vers l'arrière - le chiffre 2 est visible.

Réglage du couple de rotation

Il est possible de faire varier le couple de rotation en tournant la bague de réglage (1.7). La flèche apposée (1.6) indiquera l'état réglé.

a) Perçage:

couple de rotation maximal - la flèche est pointée sur le symbole de perçage

b) Vissage:

couple de rotation en fonction du réglage:

- position sur 1 = couple de rotation réduit
- position sur 18 = couple de rotation élevé

Porte-outil, groupes d'appui

AVERTISSEMENT A chaque remplacement du porte-outil, du groupe d'appui et de l'outil, assurez-vous que la machine est convenablement inactivée et que l'accumulateur est enlevé.

Mandrin de perceuse BF-FX

Le mandrin de perceuse sert à serrer les forets et les embouts.

Montage:

- Placez le mandrin de perceuse sur l'axe (2.11) puis tournez-le jusqu'à ce que les six pans (2.10) du mandrin de perceuse s'enclenche dans le logement de l'axe.
- Tirez la bague de déverrouillage (2.9) vers l'avant, enfoncez le mandrin de perceuse jusqu'à la butée sur l'axe puis relâchez la bague de déverrouillage.

Démontage :

- Tirez la bague de déverrouillage vers l'avant puis enlevez le mandrin de perceuse.

Changement d'outil

- Tournez la douille de serrage (2.8) dans le sens contraire des aiguilles d'une montre pour ouvrir les mâchoires de serrage (2.7) (Remarque : A machine inactivée, l'axe est automa-tiquement verrouillé).
- Placez l'outil dans le mandrin de perceuse.
- Serrez l'outil à fond en tournant la douille de serrage dans le sens des aiguilles d'une montre. Ce faisant, veillez toujours à ce que l'outil soit serré au centre du mandrin.

Appui angulaire DD-AS

L'appui angulaire permet de travailler (percer, visser) à la verticale par rapport à l'axe longitudinal de la machine.

Montage :

- Placez l'appui angulaire sur l'axe et tournez-le jusqu'à ce qu'il s'enclenche dans la position souhaitée (Remarque : L'appui angulaire peut s'enclencher dans 16 positions angulaires différentes).
- Verrouillez l'appui angulaire en tournant fermement la bague de fixation (2.6) dans le sens des aiguilles d'une montre.

Démontage :

- Tournez la bague de fixation dans le sens contraire des aiguilles d'une montre jusqu'à la butée puis enlevez l'appui angulaire.

Montage / démontage du mandrin de perceuse sur l'appui angulaire

Le mandrin de perceuse doit être fixé de la même manière sur l'arbre (2.5) de l'appui angulaire que sur l'axe de la machine.

Appui excentrique DD-ES

L'appui excentrique sert à la réception d'embouts. Il permet de visser à proximité du bord.

Montage / démontage de l'appui excentrique

Le montage / démontage de l'appui excentrique s'opère de la même manière que pour l'appui angulaire DD-AS.

Changement d'outil

- Tirez la bague de déverrouillage (2.4) vers l'arrière puis enlevez l'outil ou resp. mettez un outil en place.

Porte-outil CENTROTEC WH-CE

Le porte-outil CENTROTEC permet un changement rapide d'outils avec arbre CENTROTEC.

AMISE EN GARDE Ne serrez pas les outils CENTROTEC au niveau du manche dans un mandrin de serrage traditionnel pour ne pas endommager le manche.

AVERTISSEMENT Risque de blessure ! Manipulez très prudemment l'outil aux arêtes

tranchantes lorsque vous procédez à un échange d'outil, portez éventuellement des gants de protection.

Montage

- Tirez la bague de déverrouillage (2.14) vers l'avant, enfoncez le mandrin de perceuse jusqu'à la butée sur l'axe puis relâchez la bague de déverrouillage.

Démontage

- Tirez la bague de déverrouillage vers l'avant et enlevez le porte-outil.

Changement d'outillage

- Pour placer ou enlever un outil avec arbre CENTROTEC, retirez sur la bague de déverrouillage verte (2.13). Pour mettre un outil en place, tournez jusqu'à ce que son arbre hexagonal (2.12) s'engage dans le logement hexagonal de l'axe et poussez l'outil à fond dans le porte-outil.

Porte-outil sur l'axe

Afin que la machine devienne plus légère et plus courte, les embouts peuvent être mis en place directement dans le logement six pans de l'axe (2.11).

Charger l'accumulateur

MC 15

Le chargeur MC 15 permet de charger tous les NiCd-accumulateurs Festool d'un voltage entre 4.8 et 12 dans le compartiment de charge (3.1). L'opération de chargement est pilotée par micro-processeur. En fonction de la température, de la tension et de la résistance interne, c'est toujours le courant de charge optimal qui se règle.

La DEL (3.2) indiquent l'état de service actuel du chargeur.

DEL jaune - éclairage continu =
le chargeur est prêt à fonctionner.

DEL verte - éclairage clignotant =
l'accumulateur est en train d'être chargé.

DEL verte - clignotement rapide =
l'accumulateur est en train d'être chargé en courant de charge max.

DEL verte - éclairage continu =
l'accumulateur est chargé; la charge de maintien est active.

DEL rouge - éclairage clignotant =
indication d'erreur générale, par exemple polarité inversée de l'accumulateur, pas de mise en contact complète, court-circuit, défectuosité de l'accumulateur

DEL rouge - éclairage continu =
température de l'accumulateur au-delà des valeurs limites admissibles.

Au cas où l'accumulateur serait enlevé de son com-partiment en cours de chargement,

l'opération de chargement ne pourra se poursuivre qu'après un temps d'attente d'environ 1 à 2 s, une fois que la DEL présentera un éclairage jaune continu.

Opération de chargement MC 15

- Brancher le chargeur au secteur.
- **⚠️ AVERTISSEMENT** La tension secteur et la fréquence doivent correspondre aux indications sur la plaque signalétique!
- suspendre l'accumulateur avec la nervure (2.2) dans l'évidement inférieur (3.4) du compartiment de charge.
- Pousser l'accumulateur dans le compartiment de charge jusqu'à ce qu'il s'enclenche avec le verrouillage (2.3) dans l'évidement (3.3).

Dès maintenant, l'accumulateur est en train d'être chargé.

En appuyant sur la touche (1.1), l'accumulateur peut être déverrouillé et enlevé du chargeur.

Accessoires, outils

Les références des accessoires et outils figurent dans le catalogue Festool ou sur Internet sous "www.festool-usa.com".

Bit-Depot

Afin que les pièces fréquemment utilisées comme par exemple les clés de mandrin (4.2), la rallonge de bit (4.3) ou différents bits (4.5) soient toujours à portée de la main, ces pièces peuvent être clipsées dans le Bit-Depot (4.1). Le Bit-Depot, c'est-à-dire la réserve à accessoires, peut être fixé par ses nez de retenue (4.6) sur la partie inférieure de la perceuse-visseuse. Ce faisant, les nez de retenue doivent être introduits dans les ouvertures présentes (4.4). Après quoi, le Bit-Depot doit être déplacé latéralement, de sorte que le contour du boîtier et que le contour du Bit-Depot coïncident. Une force de choc entre la perceuse-visseuse et le Bit-Depot risque d'ouvrir le fermoir.

Informations de travail - Entretien

⚠️ MISE EN GARDE Il est indispensable d'observer les consignes suivantes, sinon, la machine, le chargeur ou l'accumulateur risque d'être endommagé(e).

- Veiller à ce que les ouvertures d'aération sur l'outil électrique et sur le chargeur soient toujours propres afin que la circulation de l'air de refroidissement soit assurée.
- Veiller à ce que les contacts de raccordement sur l'outil électrique, sur le chargeur et sur l'accumulateur soient toujours propres.
- Les chargeurs Festool et les accumulateurs Festool sont conçus en parfaite harmonie conceptuelle, c'est pourquoi il convient de

charger les accumulateurs Festool uniquement avec des chargeurs Festool.

- En laissant l'accumulateur dans le chargeur prêt à fonctionner, l'accumulateur est conservé en état chargé grâce à un chargement de maintien permanent.
- Ne pas laisser les accumulateurs vides enfichés pendant plus d'un mois env. dans le chargeur lorsque le chargeur est coupé du secteur (risque de décharge profonde).
- Un accumulateur neuf ou n'ayant pas été utilisé pendant une longue période n'atteint sa pleine capacité qu'au bout de 5 cycles de charge et de décharge environ.
- Il faudrait, dans la mesure du possible, que les accumulateurs soient entièrement déchargés avant d'être rechargés. En effet, un démarrage réitéré de l'opération de charge d'accumulateurs chargés diminue leur durée de vie.
- Une durée de fonctionnement considérablement plus réduite à la suite de chaque recharge indique que l'accumulateur est usé et qu'il doit par conséquent être remplacé par un neuf.
- Les accumulateurs doivent être stockés à des températures ambiantes entre 0° C et 35° C.
- Tous travaux d'entretien et de réparation exigeant que les appareils soient ouverts doivent être uniquement exécutés par un atelier de service après-vente autorisé.

Recyclage des accumulateurs

Ne pas jeter les accumulateurs usagés dans les ordures ménagères. Les accumulateurs usagés ou défectueux doivent être rendus aux revendeurs, au service après-vente Festool ou aux installations d'élimination publiques prescrites. Les accumulateurs seront ainsi soumis à un recyclage approprié.

Garantie

Conditions de la garantie (1+2 ans)

Vous avez droit à une prolongation de garantie gratuite (1 an + 2 ans = 3 ans) sur votre outil électrique Festool. Festool assumera tous les coûts d'expédition pendant la première année de la garantie alors que les deuxième et troisième années, les coûts devront être assumés par le client. Festool paiera les frais de retour de l'outil au client par service de livraison terrestre UPS. La garantie est valable pour une période de 3 ans à compter de la date d'achat indiquée sur votre reçu ou votre facture.

Garantie limitée de Festool

Cette garantie est valable à condition que l'outil soit utilisé conformément aux instructions de

Festool. Festool garantit, à l'acheteur initial seulement, que l'outil indiqué sera exempt de tout défaut de matériau et de fabrication pendant un an à compter de la date d'achat. Festool ne donne aucune garantie supplémentaire, implicite ou explicite, sur les instruments portables électriques Festool. Aucun agent, représentant commercial, distributeur, vendeur ou employé de Festool n'est autorisé à prolonger ou à modifier les obligations ou restrictions de la présente garantie. Les obligations de Festool sont, à son entière discrétion, limitées à la réparation ou à l'échange des outils portables électriques Festool trouvés défectueux dans le présent emballage, tels que fournis avec le présent Guide d'utilisation.

Cette garantie exclut l'usure normale, les dommages causés par un usage impropre, les abus ou la négligence, ou tout dommage autre que ceux attribuables à des défauts de matériau et de fabrication. Cette garantie ne s'applique pas aux accessoires tels que lames de scie circulaire, mèches de perceuse et vilebrequin, lames de scie sauteuse, bandes abrasives et meules. Sont également exclues les pièces d'usure, telles que balais de charbon, lamelles pour outils à air comprimé, joints et manchons de caoutchouc, disques et patins ponceurs, ainsi que les piles.

Les outils électriques portables Festool à remplacer ou à réparer doivent être retournés avec le reçu d'achat à Festool (appelez au 800-554-8741 pour connaître l'adresse d'expédition).

FESTOOL N'EST EN AUCUN CAS RESPONSABLE DES DOMMAGES DIRECTS OU INDIRECTS, IMPLICITES OU EXPLICITES, DÉCOULANT DE LA RUPTURE DE CETTE GARANTIE OU DE TOUTE AUTRE GARANTIE. TOUTES LES GARANTIES IMPLICITES, Y COMPRIS LES GARANTIES IMPLICITES DE QUALITÉ MARCHANDE ET D'ADÉQUATION À UN USAGE PARTICULIER, SONT LIMITÉES À UNE PÉRIODE DE TROIS ANS.

Certains états américains et certaines provinces canadiennes ne permettent pas la limitation des garanties implicites; il se pourrait donc que les limites indiquées ci-dessus ne s'appliquent pas dans votre cas. À l'exception de certaines garanties implicites des provinces ou des états indiquées ici, la présente garantie est exclusive et remplace toute autre garantie, convention et obligation similaire de Festool.

Cette garantie vous confère des droits légaux spécifiques, et vous pouvez aussi avoir d'autres droits pouvant varier d'un état à l'autre, ou d'une province à l'autre au Canada.

NORMAS GENERALES DE SEGURIDAD

⚠️ ADVERTENCIA Lea y entienda todas las instrucciones. El incumplimiento de una sola de las instrucciones aquí listadas, puede tener como resultado una descarga eléctrica, fuego y/o lesiones personales serias.

CONSERVE ESTAS INSTRUCCIONES

Espacio de trabajo

1 Mantenga su espacio de trabajo limpio y bien iluminado. Bancos de trabajo desordenados y áreas oscuras facilitan accidentes.

2 No maneje herramientas en ambientes explosivos, como por ejemplo en presencia de líquidos inflamables, gases, o polvo. Las herramientas generan chispas que pueden encender el polvo o gases.

3 Mantenga espectadores, niños, y visitantes fuera del alcance mientras maneje herramientas. Distracciones pueden causarle la pérdida del control.

Seguridad eléctrica

4 Una herramienta accionada por acumuladores con acumulador incorporado o acumulador por separado solamente se deberá cargar con el cargador previsto para este acumulador. Un cargador que es adecuado para un tipo de acumulador concreto puede producir fuego o choque eléctrico, si se utiliza con otro tipo de acumulador.

5 Emplee las herramientas accionadas por acumuladores solamente con el paquete de acumuladores previsto especialmente para ellas. El uso de cualquier otro tipo de acumulador puede ser la causa de que se produzca un incendio.

Seguridad personal

6 Manténgase atento, observe lo que está haciendo y use el sentido común cuando use una herramienta. No trabaje estando cansado o bajo influencia de drogas, alcohol, o medicamentos. Un momento sin prestar atención mientras maneja una herramienta puede tener como resultado serias lesiones personales.

7 Vístase apropiadamente. No lleve ropa suelta o joyas. Sujete pelo largo. Mantenga su pelo, ropa y guantes fuera del alcance de partes móviles. Ropa, joyas y pelo suelto pueden pillarse en partes móviles.

8 Evite accidentes al iniciar. Asegúrese que el interruptor está apagado antes de enchufar. Transportar herramientas con el dedo en el interruptor o enchufar las herramientas con el interruptor encendido puede provocar accidentes.

9 Quite llaves de ajuste o conmutadores antes de encender la herramienta. Una llave inglesa u otra llave que se deja puesta en partes rotatorias de la herramienta pueden causar lesiones personales.

10 No exceda límites. Mantenga estabilidad y balance apropiado en todo momento. Estabilidad y balance apropiado posibilitan el mejor control de la herramienta en situaciones inesperadas.

11 Use equipamiento de seguridad. Lleve siempre gafas protectoras. Mascarilla de polvo, zapatos de seguridad antirresbaladizos, casco, o protección de los oídos deben ser utilizados para condiciones adecuadas.

12 Confirme que las conexiones existentes para la aspiración de polvo y para el dispositivo recogedor están conectadas y que se emplean debidamente. El uso de estos dispositivos puede reducir peligros relacionados polvo.

Uso y cuidado de la herramienta

13 Use abrazaderas u otras formas prácticas de sujetar y asegurar la pieza de trabajo en una plataforma estable. Sujetar la pieza de trabajo con la mano o contra el cuerpo es inestable y puede causar la pérdida de control.

14 No fuerce la herramienta. Use la herramienta correcta para su aplicación. La herramienta correcta hará su trabajo de manera mejor y más segura al nivel para el cual está diseñada.

15 No use la herramienta si el interruptor no la enciende y apaga. Cualquier herramienta que no se pueda controlar por el interruptor es peligrosa y debe ser arreglada.

16 Retire el paquete de acumuladores de la herramienta, antes de proceder a cualquier tipo de ajustes, así como antes de un cambio de accesorios o del depósito de la herramienta en almacén. Estas medidas preventivas de seguridad reducen el riesgo de poner en funcionamiento la herramienta accidentalmente.

17 Guarde herramientas desocupadas fuera del alcance de niños u otras personas sin experiencias. Las herramientas son peligrosas en manos de personas inexpertas.

18 Cuando no lo utilice, mantenga el paquete de acumuladores alejado de otras piezas u objetos metálicos como, por ejemplo, grapas, sujetapapeles, monedas, llaves, clavos, tornillos u otras piezas metálicas pequeñas, que puedan establecer un contacto entre los polos del acumulador. Un cortocircuito entre los dos polos del acumulador puede producir chispas, quemaduras o fuego.

19 Mantenga las herramientas con cuidado. Mantenga herramientas para cortar afiladas

y limpias. Herramientas mantenidas correctamente, con filos afilados, difícilmente se traban y se controlan con mayor facilidad.

20 Compruebe si hay alineación incorrecta o trabadura de partes móviles, rotura de partes, o cualquier otra condición que puedan afectar el funcionamiento de la herramienta. En caso de daños, arregle la herramienta antes de usarla. Muchos accidentes son causados por herramientas con mal mantenimiento.

21 Use solo accesorios que recomiende el fabricante para su modelo. Accesorios que funcionen en una herramienta pueden ser peligrosos al usarlos en otra.

Mantenimiento

22 El mantenimiento de la herramienta solo se podrá realizar por personal de mantenimiento cualificado. Revisión o mantenimiento realizado por personal no cualificado puede resultar en el riesgo de lesión.

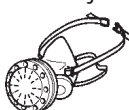
23 Cuando se revise una herramienta, use solo repuestos idénticos. Siga las instrucciones en la sección de mantenimiento de este manual. El uso de repuestos no autorizados o el incumplimiento de

las instrucciones de mantenimiento pueden conllevar el riesgo de descarga eléctrica o lesión.

ADVERTENCIA Algunos polvos creados por lijadoras mecánicas, aserraderos, trituradores, perforadoras y otras actividades de construcción contienen sustancias químicas que se sabe (en el Estado de California) causan cáncer, defectos de nacimiento u otros daños al sistema reproductivo. Algunos ejemplos de estas sustancias químicas son:

- Plomo de las pinturas con base de plomo
- Sílice cristalino de los ladrillos y cemento y otros productos de mampostería, y
- Arsénico y cromo de madera tratada con sustancias químicas

El riesgo de exposición a estas sustancias varía, dependiendo de cuantas veces se hace este tipo de trabajo.



Para reducir el contacto con estas sustancias químicas: trabaje en un área con buena ventilación y trabaje con equipo de seguridad aprobado, como mascarillas para el polvo diseñadas específicamente para filtrar partículas microscópicas.

Datos técnicos

Taladro atornillador

Potencia del motor	CDD 9.6	CDD 12
Velocidad en vacío	9.6 V	12 V
1ª marcha	0 - 380 rpm	0 - 380 rpm
2ª marcha	0 - 1100 rpm	0 - 1100 rpm
Par de apriete máximo en lugares blandos (madera)	10 Nm	18 Nm
en lugares duros (metal)	26 Nm	30 Nm
Par de apriete regulable	0.5 - 5 Nm	1 - 7 Nm
Alcance del portabrocas	1 - 10 mm	1.5 - 13 mm
Diámetro máx. perforación en metal / en madera	12 mm / 20 mm	14 mm / 25 mm
Alojamiento de herramientas en el eje	1/4"	1/4"
Peso con acumulador	1.8 kg (4.0 lbs)	2.0 kg (4.4 lbs)

Cargador

Tensión de la red (entrada)	MC 15
Frecuencia de la red	120 V ~
Tensión de carga (salida)	60 Hz
Corriente de carga, carga rápida	4.8 - 12 V (DC)
Carga de mantenimiento por impulsos aprox.	max. 7.5 A
Tiempo para recargar para NiCd 1.4 Ah	0.03 A
NiCd 1.7 Ah	aprox. 13 min
NiCd 2.0 Ah	aprox. 15 min
	aprox. 18 min

Juego de acumuladores

Nº de pedido	BPH 9.6 C	BPH 12 C
Voltaje	488 437	488 438
Células	9.6 V	12 V
Capacidad	8 x 1.2 V, NiCd	10 x 1.2 V, NiCd
Margen de temperaturas de carga	2.0 Ah	2.0 Ah
Control de estado de carga	5 - 45 °C	5 - 45 °C
Peso	por resistencia NTC	
	0.5 kg (1.1 lbs)	0.6 kg (1.3 lbs)

Las figuras indicadas se encuentran al principio de las instrucciones de uso.

Símbolos

V	voltios
A	amperios
Hz	hertzios
W	vatios
~	rensión alterna
n_0	revoluciones sin carga
Ⓜ	Clase II Construcción
rpm	revoluciones por minuto

Utilización adecuada

Los taladros atornilladores con acumuladores son adecuados para perforar en metal, madera, plásticos y materiales similares, así como para atornillar y enroscar tornillos con hasta 6 mm de diámetro.

Los cargadores hay que usarlos para recargar los juegos de acumuladores de indicados en "Datos técnicos".

⚠ ADVERTENCIA El usuario se responsabiliza de los daños debidos a un uso inadecuado.

Preparación para la puesta en servicio

Sacar el juego de acumuladores del aparato:

Pulsando la tecla (1.1) se desbloquea el juego de acumuladores (1.2). Ahora ya puede sacarlo.

Meter el juego de acumuladores en el taladro atornillador:

- Poner el juego de acumuladores recargado con la nervadura (2.2) en la entalladura (2.1).
- Ejercer presión sobre el juego de acumuladores en dirección al aparato hasta que encaje el bloqueo (2.3) en el aparato.

El taladro atornillador ya está listo para ser usado.

Nota: El taladro atornillador se puede emplear con un juego de acumuladores de voltaje inferior a la potencia de motor del taladro atornillador. Lo contrario no está permitido.

Puesta en servicio

Ponerlo en funcionamiento con el pulsador (1.3). Según la presión que se ejerza sobre el pulsador varía la velocidad de giro del taladro atornillador. Para desconectarlo basta con soltar el pulsador. Después de soltar el pulsador, se frena el eje (portabrocas) impidiendo que la máquina siga girando por inercia.

Cambiar el sentido de giro

El botón (1.4) sirve para determinar el sentido de giro.

- Botón apretado de derecha a izquierda = el taladro atornillador gira hacia la derecha;
- Botón apretado de izquierda a derecha = el taladro atornillador gira hacia la izquierda;
- Botón en posición media = bloqueo de conexión.

Conmutación del engranaje

⚠ PRECAUCION Conectarlo sólo con la máquina parada. Con el interruptor desplazable (1.5) se conecta el engranaje. Si no se puede mover el interruptor desplazable hasta el tope, girar entonces un poco el eje.

- 1ª marcha: interruptor hacia adelante - se ve la cifra 1.
- 2ª marcha: interruptor hacia atrás - se ve la cifra 2.

Regulación del par de apriete

Girando la rueda de ajuste (1.7) se puede regular el par de apriete. La marca con la flecha (1.6) indica el estado ajustado en cada momento:

a) Taladrar:

La flecha de marca mira hacia el símbolo de taladrar = par de apriete máximo.

b) Atornillar:

Par de apriete según el ajuste:

- Posición en 1 = par de apriete bajo
- Posición en 18 = par de apriete alto

Toma de herramienta, grupos adicionales

⚠ ADVERTENCIA Asegúrese en cada cambio de toma de herramienta, grupo adicional y herramienta que la máquina esté apagada y el bloque de acumulador quitado.

Portabrocas BF-FX

El portabrocas sirve para sujetar las brocas y las puntas de destornillador.

Montaje:

- Coloque el portabrocas en el husillo portabrocas (2.11) y gírelo hasta que la clavija hexagonal (2.10) del portabrocas se enclave en la toma hexagonal interior del husillo portabrocas.
- Estire la anilla de desbloqueo (2.9) hacia adelante, apriete el portabrocas sobre el husillo portabrocas hasta el tope y suelte la anilla de desbloqueo.

Desmontaje:

- Estire la anilla de desbloqueo hacia adelante y quite el portabrocas.

Cambiar la herramienta

- Gire el manguito de sujeción (2.8) en contra del sentido de las agujas del reloj para abrir las mordazas de apriete (2.7) (Nota: Cuando la máquina está parada, el husillo está bloqueado automáticamente).

- Introduzca la herramienta en el portabrocas.
- Apriete bien la sujeción de la herramienta girando el manguito de apriete en el sentido de las agujas del reloj. Tenga siempre en cuenta que la herramienta esté sujeta de forma céntrica en el portabrocas.

Ángulo adicional DD-AS

El ángulo adicional facilita el trabajo (taladrar, atornillar) vertical con respecto al eje longitudinal de la máquina.

Montaje:

- Coloque el ángulo adicional sobre el husillo portabrocas y gírelo hasta que se enclave en la posición deseada (Nota: El ángulo adicional se puede enclavar en 16 posiciones angulares distintas).
- Bloquee el ángulo adicional girando la anilla de sujeción (2.6) en el sentido de las agujas del reloj hasta que quede apretada.

Desmontaje:

- Gire la anilla de sujeción en el sentido contrario a las agujas del reloj hasta llegar al tope y quite el ángulo adicional.

Montar / desmontar el portabrocas en el ángulo adicional

El portabrocas se sujeta de la misma manera en el eje (2.5) del ángulo adicional que en el husillo portabrocas de la máquina.

Excéntrica adicional DD-ES

La excéntrica adicional sirve para la toma de puntas de destornillador. Permite atornillar cerca de los bordes.

Montar / desmontar la excéntrica adicional

El montaje / desmontaje de la excéntrica adicional se realiza de la misma manera que el montaje y desmontaje del ángulo adicional DD-AS.

Cambiar la herramienta

- Estire la anilla de desbloqueo (2.4) hacia atrás y saque o bien introduzca la herramienta.

Soporte para herramientas

CENTROTEC WH-CE

El soporte para herramientas CENTROTEC posibilita un rápido cambio de herramientas con el vástago CENTROTEC.

¡PRECAUCIÓN! No fije las herramientas CENTROTEC a la parte redonda del vástago de un portabrocas convencional, de este modo el vástago no resultará dañado.

¡ADVERTENCIA! ¡Riesgo de lesiones! Durante el cambio de herramienta, maneje la herramienta con sus cuchillas afiladas con especial cuidado, y si fuera necesario, utilice guantes de protección.

Montaje

- Estire la anilla de desbloqueo (2.14) hacia adelante, apriete el portabrocas sobre el husillo portabrocas hasta el tope y suelte la anilla de desbloqueo.

Desmontaje

- Desplace el anillo de desbloqueo hacia delante y retírelo del soporte para herramientas.

Cambio de herramienta

- Retire el anillo de desbloqueo verde para aplicar o quitar una herramienta con el vástago CENTROTEC (2.13). Para aplicar la herramienta gire su hexágono (2.12) en el alojamiento hexagonal hasta que el husillo portabrocas encaje y desplace la herramienta hasta el tope en el soporte para herramientas.

Toma de herramienta en el husillo portabrocas

Para que la máquina sea más corta y más ligera las puntas de destornillador se pueden introducir directamente en la toma hexagonal interior del husillo portabrocas (2.11).

Cargar el juego de acumuladores

MC 15

Con el cargador MC 15 se pueden recargar en el compartimiento (3.1) cualquier juego de NiCd-acumuladores de Festool con voltajes entre 4.8 V y 12 V.

Un microprocesador se ocupa de controlar el proceso de carga. Dependiendo de la temperatura, el voltaje y la resistencia interna, se regula siempre la corriente de carga óptima.

El diodo luminoso (LED) (3.2) indican el estado de carga del cargador.

LED amar. - permanente =

El cargador está listo para ser usado.

LED verde - intermitente =

El juego de acumuladores está cargado.

LED verde - int. breve =

Se cargan los acumuladores con corriente de carga máx.

LED verde - permanente =

Juego de acumuladores cargado; cargador con carga de mantenimiento.

LED rojo - intermitente =

Indicación general de error, por ej. juego de acumuladores con polos cambiados, mal puesto, defectuoso, o cortocircuito.

LED rojo - permanente =

Temperatura de acumuladores superior a valores permitidos.

Si durante el proceso de carga se saca el juego de acumuladores del compartimiento, sólo se

puede continuar con la carga si, después de 1 - 2 segundos, el diodo luminoso amarillo está encendido de modo permanente.

Cargar con MC 15

- Enchufar el cargador a la red.

⚠ ADVERTENCIA El voltaje de la red y la frecuencia tienen que coincidir con las indicaciones en la placa de características.

- Introducir la nervadura (2.2) en la entalladura inferior (3.4) del compartimiento de carga.

- Ejercer presión sobre el juego de acumuladores en el compartimiento hasta que encaje con el bloqueo (2.3) en la entalladura (3.3).

Ahora comienza a recargarse el juego de acumuladores.

Pulsando la tecla (1.1) se puede desbloquear y sacar.

Accesorios, herramientas

Los números de pedido para los respectivos accesorios y herramientas se encuentran en su catálogo Festool o en la dirección de Internet "www.festool-usa.com".

Depósito para destornilladores

Para poder tener siempre a mano piezas sueltas de uso habitual, como las llaves de los portabrocas (4.2), los adaptadores para destornillador (4.3) o los diferentes destornilladores (4.5), se pueden meter estas piezas en el depósito para destornilladores (4.1).

El depósito para destornilladores se puede fijar por medio de las sujeciones (4.6) a la parte inferior del taladro. Hay que introducir las sujeciones por los agujeros (4.4) y hay que mover lateralmente el depósito de modo que el perfil del aparato y del depósito queden al ras. Al golpear con el taladro atornillador el depósito para destornilladores, puede soltarse la sujeción.

Indicaciones de trabajo - Mantenimiento - Cuidados

⚠ PRECAUCION Tenga en cuenta las indicaciones que se ofrecen a continuación. En caso de inobservancia existirá peligro de dañar la máquina, el cargador o el acumulador.

- Mantener limpias las ranuras de la herramienta eléctrica y del cargador para que el aire de refrigeración circule sin problemas.
- Mantener limpios los contactos de conexión de la máquina, del cargador y del juego de acumuladores.
- Los cargadores de Festool y los juegos de acumuladores de Festool se han concebido para usarse conjuntamente. Por eso para

cargar los juegos de acumuladores de Festool sólo se deben utilizar los cargadores de Festool.

- Guardando el juego de acumuladores en un cargador listo para ser usado, el juego de acumuladores se mantiene siempre cargado debido a la carga de mantenimiento.
- No dejar los acumuladores vacíos durante más de 1 mes en el cargador si éste está separado de la red (peligro de descarga total).
- Un juego de acumuladores nuevo o que no haya sido utilizado en mucho tiempo alcanza su capacidad total después de aproximadamente 5 ciclos de carga y descarga.
- Los juegos de acumuladores deberían estar descargados prácticamente por completo antes de volver a ser cargados. Si se carga repetidamente un juego de acumuladores no desgastado del todo, se reduce su vida útil.
- Una capacidad de funcionamiento bastante más corta por cada carga indica que el acumulador está gastado y que debe ser sustituido por uno nuevo.
- Los acumuladores deberán almacenarse a una temperatura ambiente entre los 0° C y los 35° C.
- Solamente un taller autorizado de servicio de postventa puede realizar los trabajos de reparación y de mantenimiento para los que sea necesario abrir un aparato.

Reciclaje de los juegos de acumuladores

No tire a la basura el juego de acumuladores ya desgastado. Devuelva los juegos de acumuladores utilizados o defectuosos al comercio especializado, al servicio de postventa de Festool o a los centros municipales de recogida de basura especial. De esta manera se facilita un reciclaje correcto de los acumuladores.

Garantía

Condiciones de la Garantía 1 + 2

Usted tiene derecho a una garantía extendida gratuita (1 año + 2 años = 3 años) para su herramienta mecánica Festool. Festool se hará responsable por los gastos de envío durante el primer año de garantía. Durante el segundo y tercer año de garantía el cliente es responsable por el costo del envío de la herramienta a Festool. Festool pagará el embarque de regreso al cliente usando UPS Ground Service. Todo el servicio de garantía es válido por 3 años desde la fecha de la compra de acuerdo a la fecha de su recibo o factura de compra.

Garantía limitada de Festool

Esta garantía es válida con la condición previa de que la herramienta se usa y opera de conformidad con las instrucciones de operación de Festool. Festool garantiza, sólo al comprador original, que la herramienta especificada estará libre de defectos de fabricación y materiales durante un periodo de un año a partir de la fecha de compra. Festool no otorga otras garantías, ni explícitas ni implícitas para ninguna de las herramientas mecánicas portátiles Festool. Ningún agente, representante, distribuidor, comerciante o empleado de Festool está autorizado para extender o modificar de cualquier manera las obligaciones o limitaciones de esta garantía. Las obligaciones de Festool, a su propia entera discreción, están limitadas a la reparación o sustitución de cualquier herramienta portátil Festool que se encuentre estar defectuosa en el momento de ser embalada junto con el manual de usuario.

Quedan excluidos de la cobertura en esta garantía: el desgaste normal; los daños causados por uso indebido, el abuso o negligencia; los daños causados por cualquier otra causa que no sean defectos del material o de la fabricación. Esta garantía no aplica a accesorios como cuchillas de sierras circulares, brocas de taladro, barrenas de buriladora, cuchillas de sierra, cuchillas para sierras de calado, correas de lijadoras y ruedas de esmeril. También se excluyen las “partes que se desgastan” como cepillos de carbón, laminillas

de herramientas de aire, collarines de hule y sellos, discos y cojines de lijado, y baterías.

Las herramientas mecánicas portátiles Festool que requieran de reemplazo o reparación deben devolverse con el recibo de compra a Festool (llame al 800-554-8741 para los detalles de la dirección).

EN NINGÚN CASO FESTOOL SE HARÁ RESPONSABLE POR LOS DAÑOS SECUNDARIOS O CONSECUENTES OCASIONADOS POR LA VIOLACIÓN DE ESTA O CUALQUIER OTRA GARANTÍA, SEA EXPLÍCITA O IMPLÍCITA. TODAS LAS GARANTÍAS IMPLICADAS POR LEYES ESTATALES, INCLUYENDO LAS GARANTÍAS IMPLICADAS DE COMERCIALIZACIÓN Y ADECUACIÓN A UN PROPÓSITO PARTICULAR, QUEDAN LIMITADAS A TRES AÑOS DE DURACIÓN.

Algunos estados de EE.UU. y algunas provincias de Canadá no permiten las limitaciones en cuanto a la duración de las garantías implícitas, de modo que la limitación arriba indicada puede que no le afecte. A excepción de algunas garantías implicadas por leyes estatales o provinciales, limitadas por la presente, la anteriormente citada garantía, expresamente limitada, es exclusiva y sustituye a cualquier otra garantía, acuerdo u obligación similar de Festool. Esta garantía le concede derechos legales específicos y usted podría tener otros derechos legales que varían de estado a estado en EE.UU. y de provincia a provincia en Canadá.

